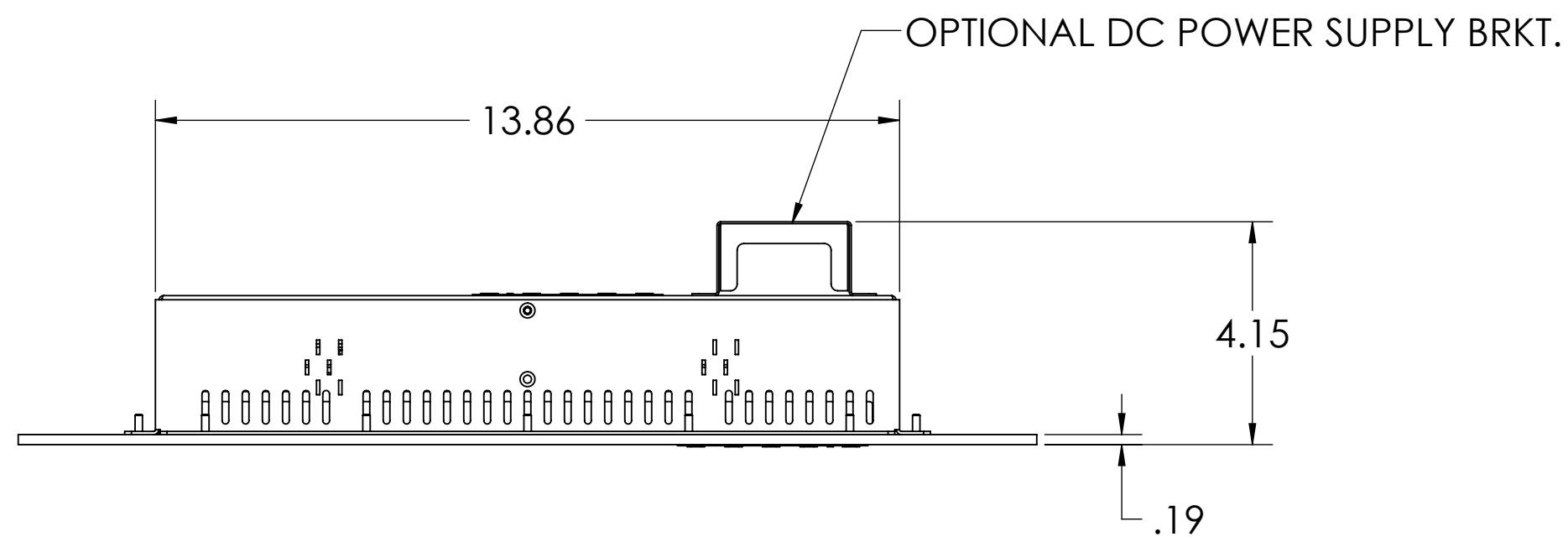
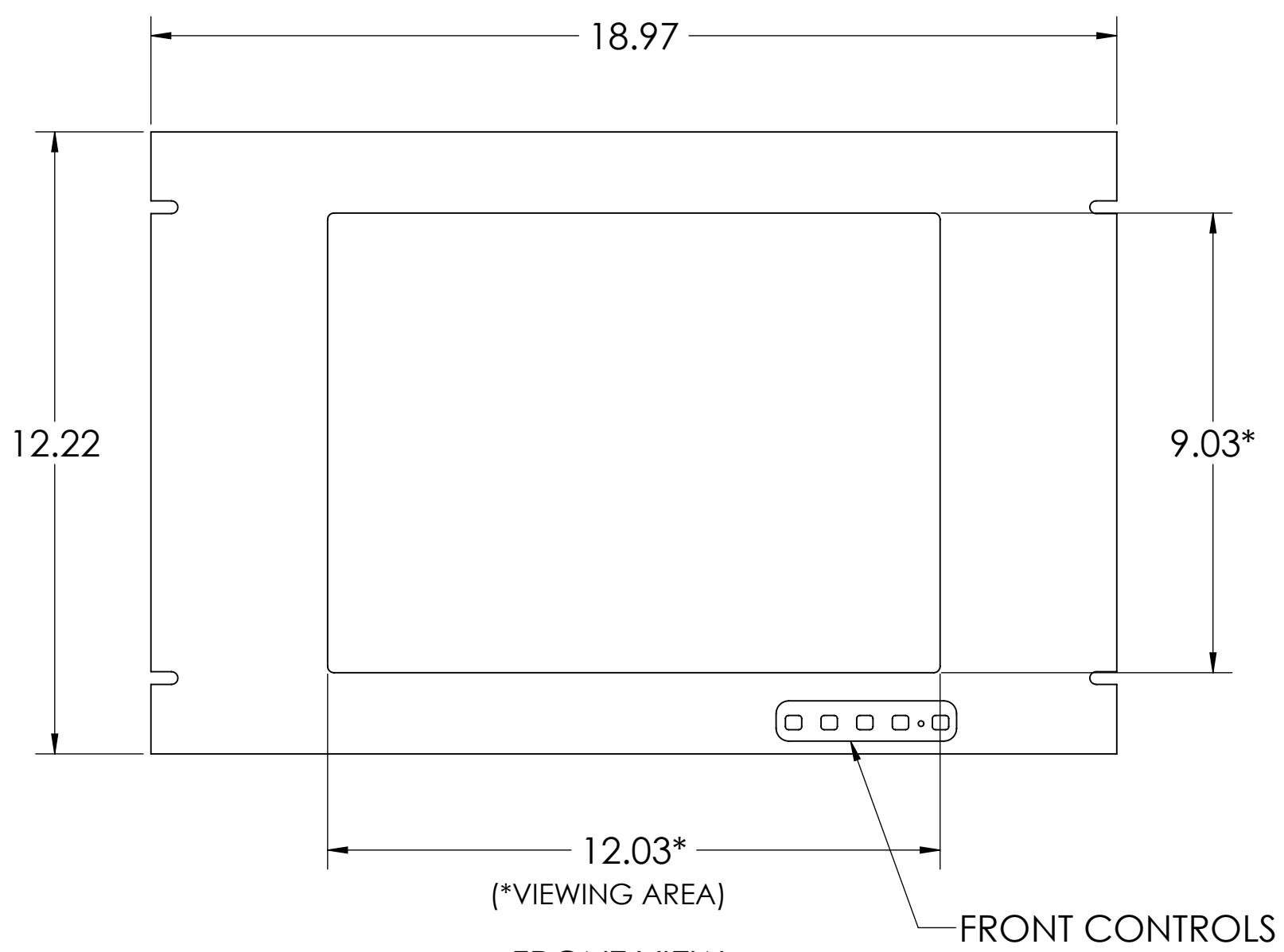
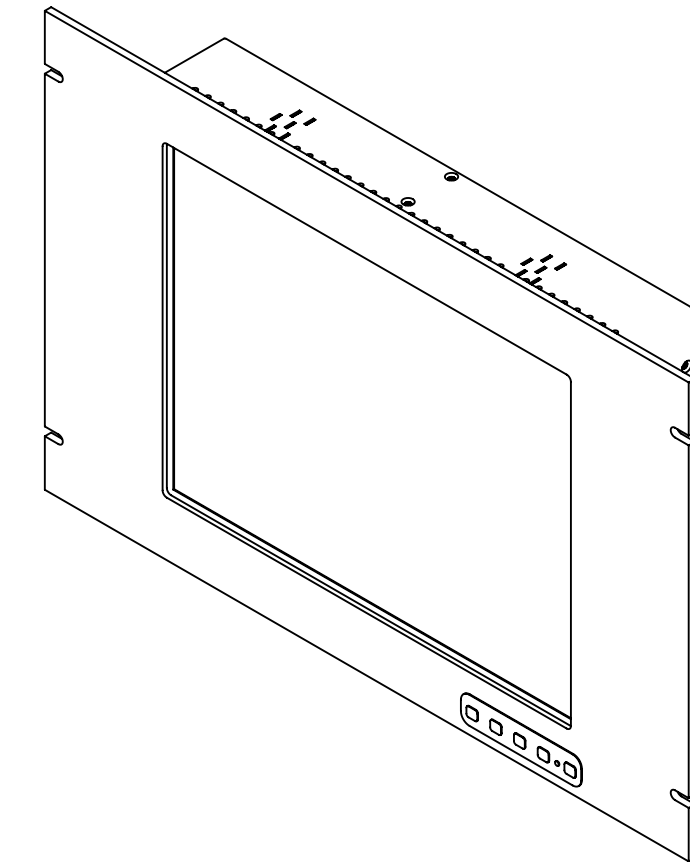


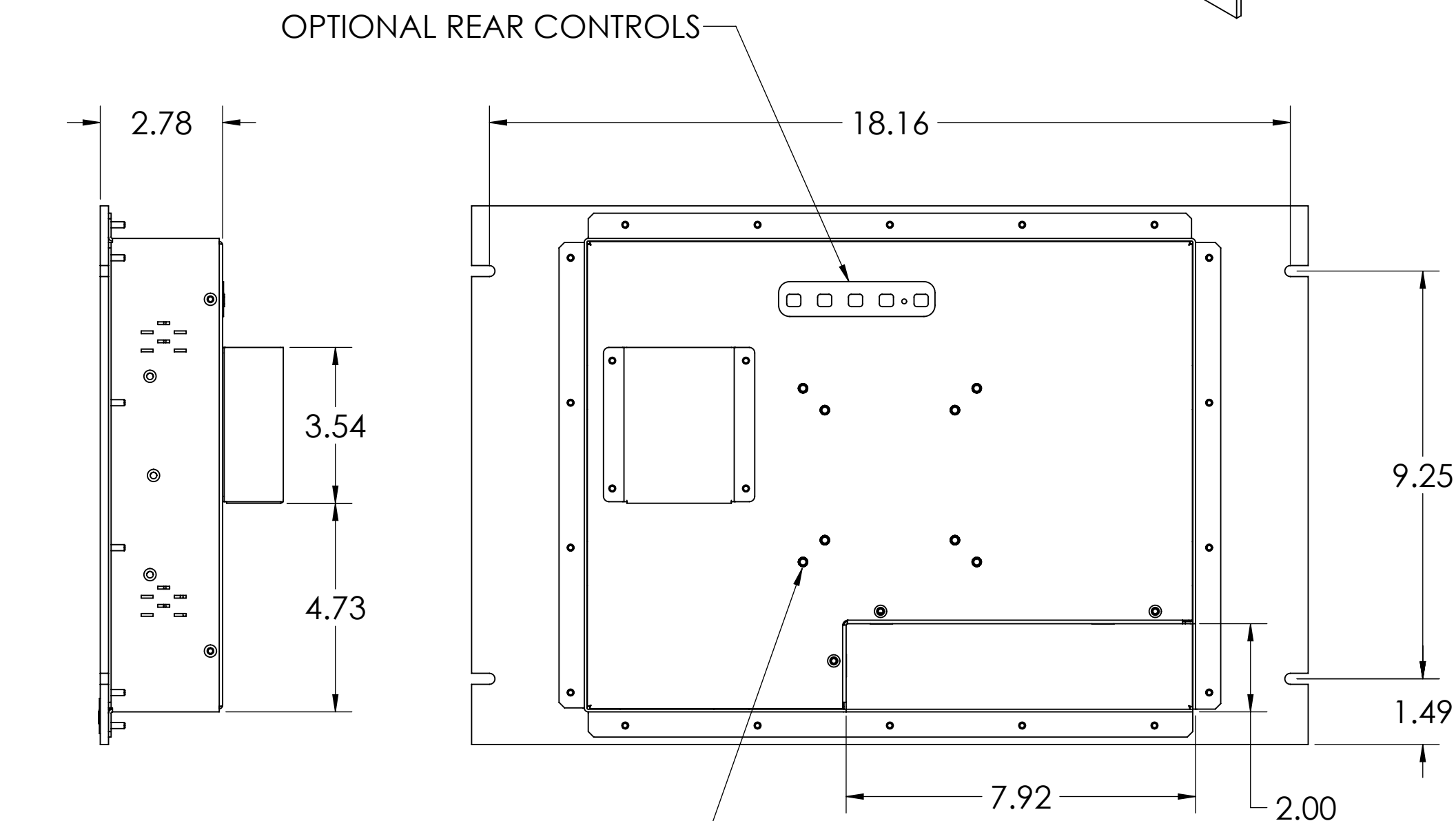
REVISIONS				
ZONE	REV.	DESCRIPTION	DATE	APPROVED
	01	INITIAL RELEASE	8/12/2007	



TOP VIEW

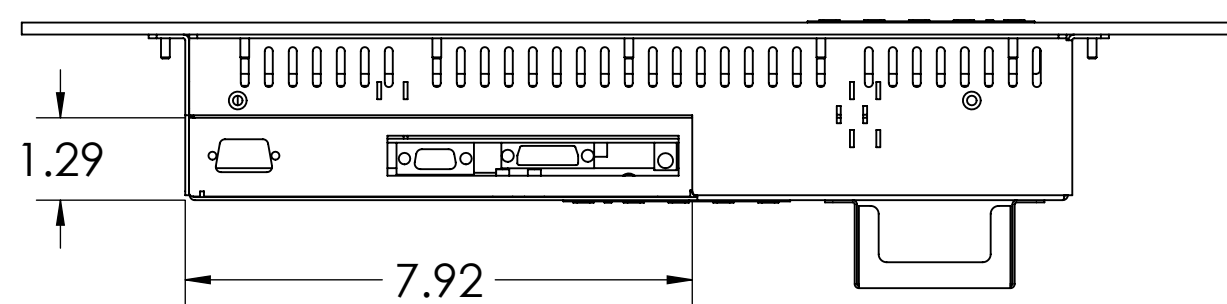


FRONT VIEW



RIGHT SIDE VIEW

REAR VIEW



BOTTOM VIEW

OPTIONAL VESA
75/100 MOUNTING

PROPRIETARY AND CONFIDENTIAL
THE INFORMATION CONTAINED IN THIS DRAWING IS THE SOLE PROPERTY OF DYNAMIC DISPLAYS, INC. ANY REPRODUCTION IN PART OR AS A WHOLE WITHOUT THE WRITTEN PERMISSION OF DYNAMIC DISPLAYS, INC. IS PROHIBITED.

UNLESS OTHERWISE SPECIFIED:		NAME	DATE
DIMENSIONS ARE IN INCHES		ARJ	8/12/07
TOLERANCES:		DRAWN	
FRACTIONAL ±		CHECKED	
ANGULAR: MACH ± BEND ± .5°		ENG APPR.	
TWO PLACE DECIMAL ± .020		MFG APPR.	
THREE PLACE DECIMAL ± .010		Q.A.	
INTERPRET GEOMETRIC TOLERANCING PER:		COMMENTS:	
MATERIAL			
FINISH			
NEXT ASSY	USED ON		
APPLICATION	DO NOT SCALE DRAWING		

Dynamic Displays, Inc.		
TITLE: OUTLINE DRAWING, 15" NEMA, RACK MNT		
SIZE	DWG. NO.	REV
C	0014118	01
SCALE: 1:2	SHEET 1 OF 1	