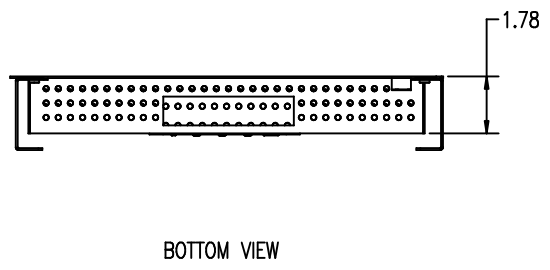
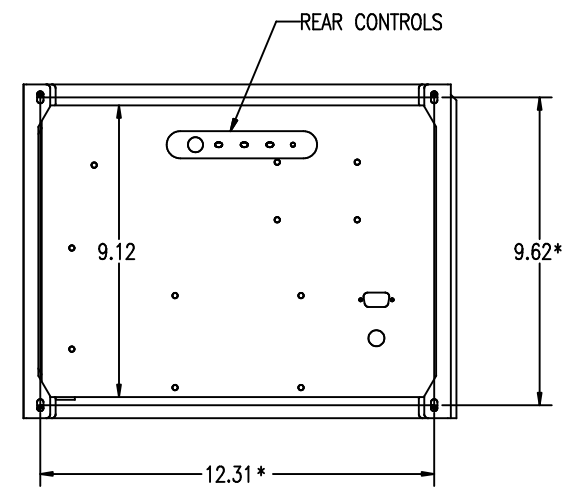
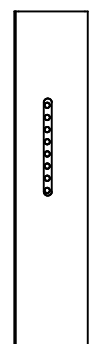
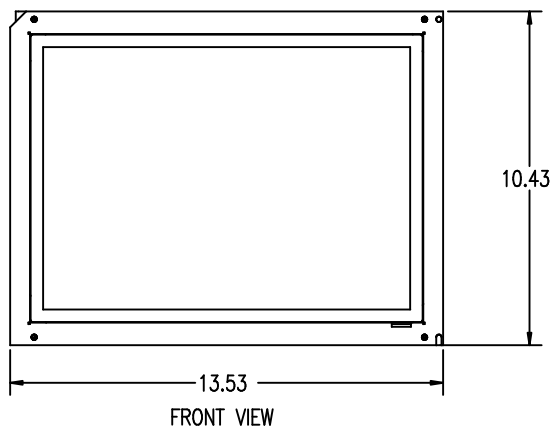
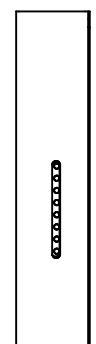
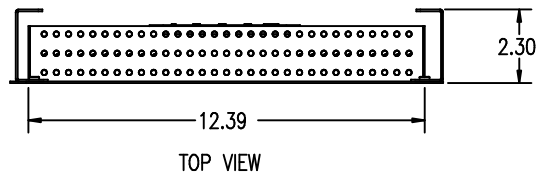


REVISIONS				
ZONE	REV.	DESCRIPTION	DATE	APPROVED
	01	PRODUCTION RELEASE	7/4/2006	
	02	UPDATED TO SHOW REAR FEATURES	4/15/2007	
	03	ADDED LEGACY CRT DIMENSIONS	7/3/2009	

LEGACY CHASSIS MOUNTS THIS SIDE



PROPRIETARY AND CONFIDENTIAL
THE INFORMATION CONTAINED IN THIS DRAWING IS THE SOLE PROPERTY OF DYNAMIC DISPLAYS, INC. ANY REPRODUCTION IN PART OR AS A WHOLE WITHOUT THE WRITTEN PERMISSION OF DYNAMIC DISPLAYS, INC. IS PROHIBITED.

UNLESS OTHERWISE SPECIFIED:		NAME	DATE	Dynamic Displays, Inc.
DIMENSIONS ARE IN INCHES		DYNAMIC	7/04/08	
CHECKED	FRACTIONAL ±	CHECKED		TITLE: OUTLINE DWG, 14" LCD, REPLACEMENT FOR 14" CRT CHASSIS
	ANGULAR: MACH ± .005	ENG APPR.		
	TWO PLACE DECIMAL ± .002	MFG APPR.		
	THREE PLACE DECIMAL ± .010	QA		SIZE DWG. NO. C 0014107
	INTERPRET GEOMETRIC TOLERANCING PER GENERAL	COMMENTS:		
	FINISH			REV 03
NEXT ASSY	USED ON			SCALE: 1:4
APPLICATION	DO NOT SCALE DRAWING			SHEET 1 OF 1