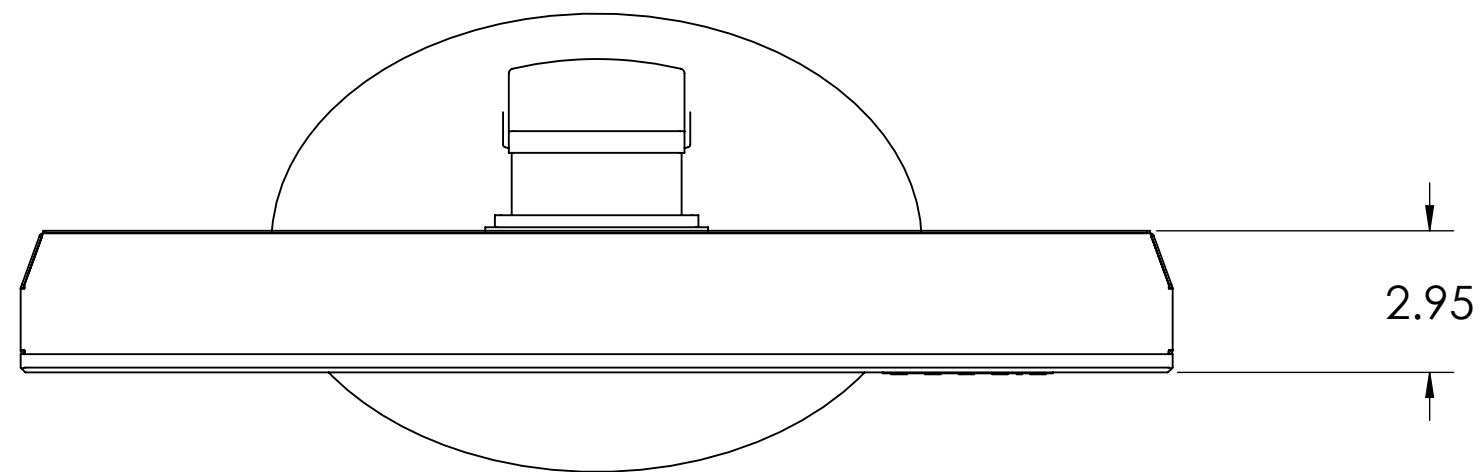
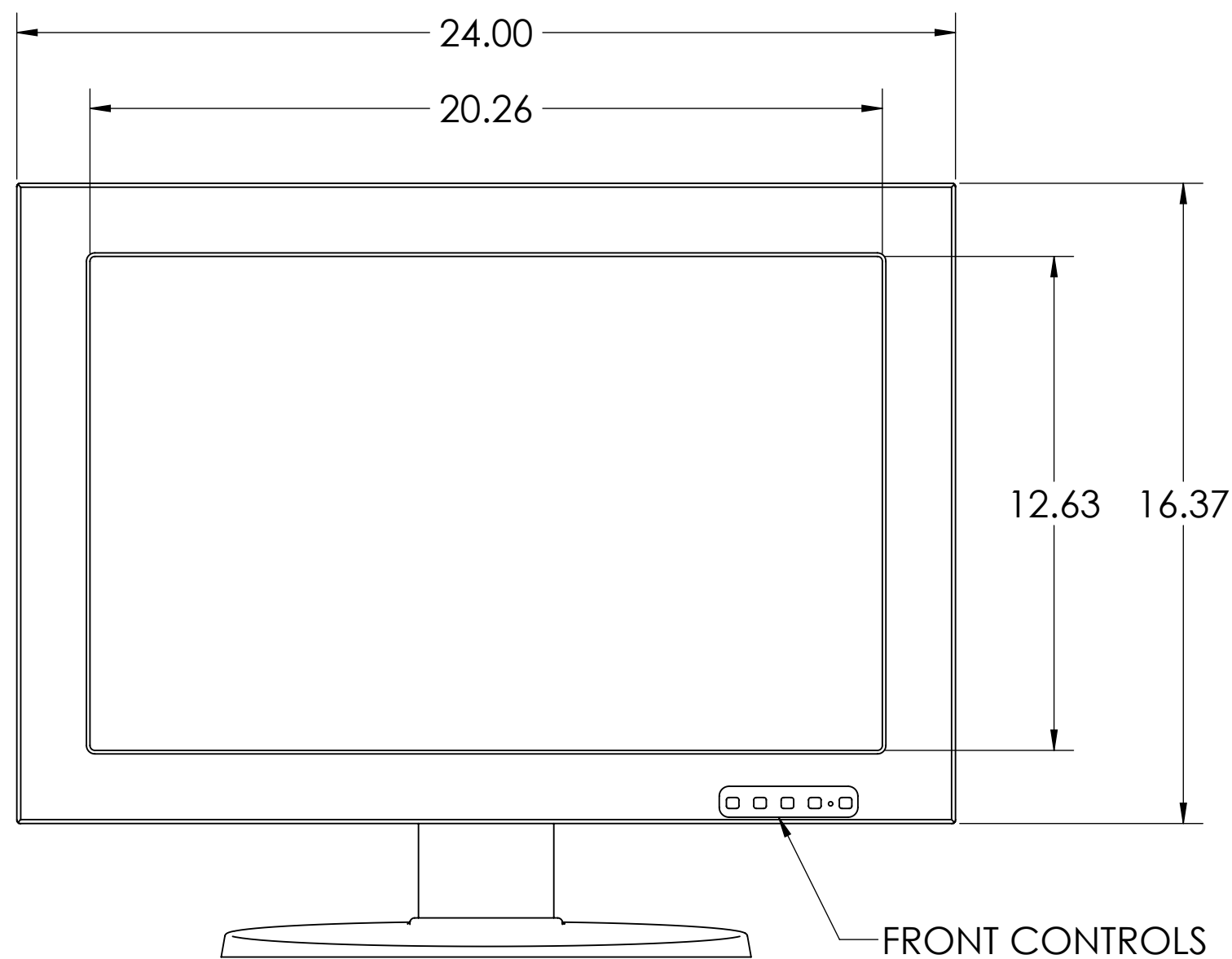
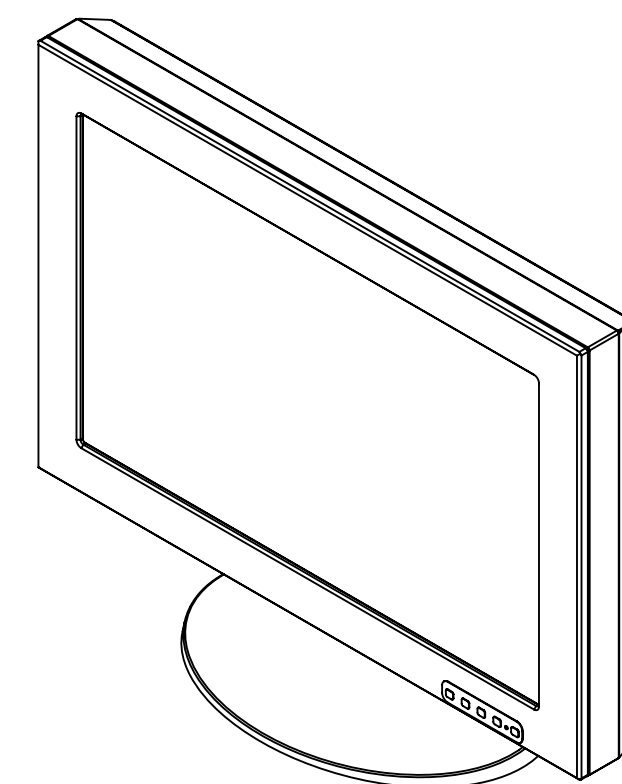


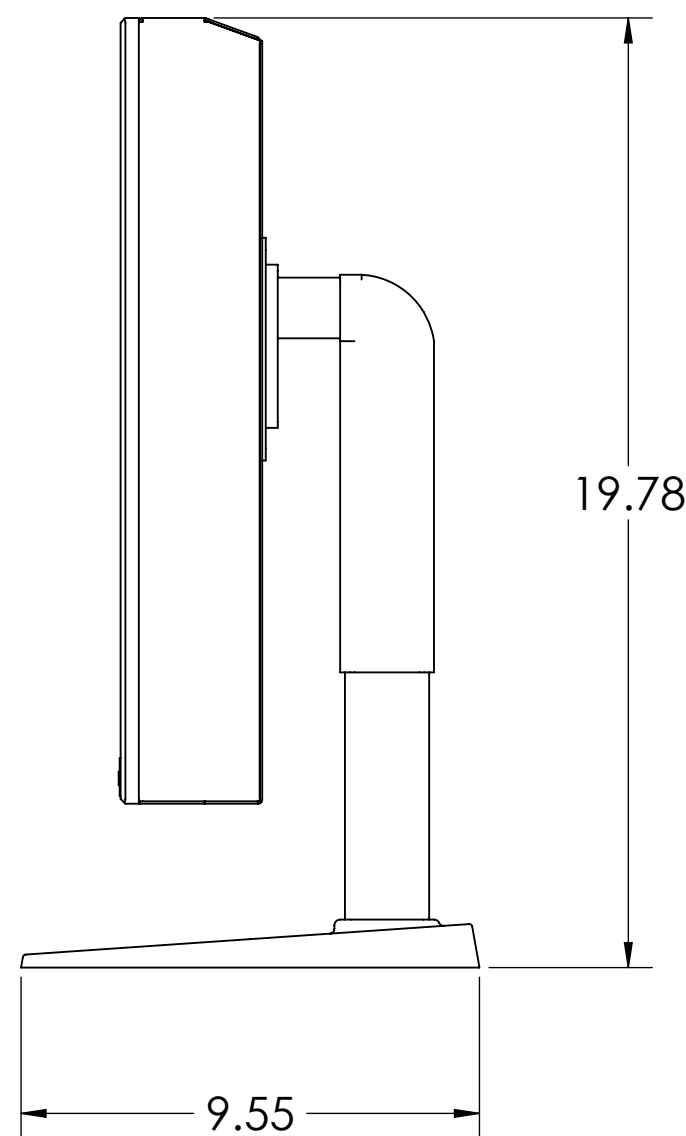
REVISIONS				
ZONE	REV.	DESCRIPTION	DATE	APPROVED
	01	INITIAL RELEASE	6/14/2007	



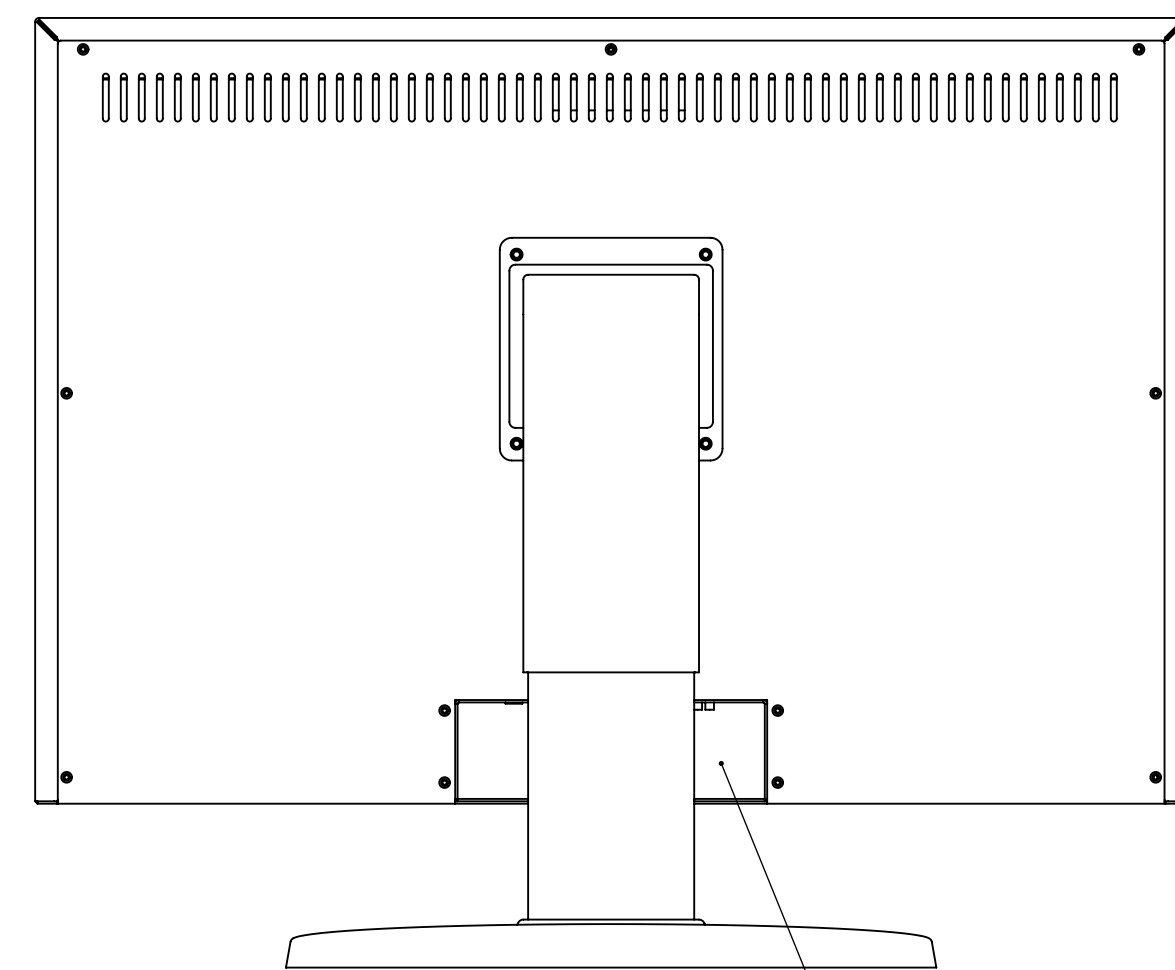
TOP VIEW



FRONT VIEW



SIDE VIEW



REAR VIEW

**PROPRIETARY AND CONFIDENTIAL**  
 THE INFORMATION CONTAINED IN THIS DRAWING IS THE SOLE PROPERTY OF DYNAMIC DISPLAYS, INC. ANY REPRODUCTION IN PART OR AS A WHOLE WITHOUT THE WRITTEN PERMISSION OF DYNAMIC DISPLAYS, INC. IS PROHIBITED.

UNLESS OTHERWISE SPECIFIED:		NAME	DATE
DIMENSIONS ARE IN INCHES		DRAWN	ARJ 6/14/07
TOLERANCES:		CHECKED	
FRACTIONAL ±		ENG APPR.	
ANGULAR: MACH ± BEND ± .5°		MFG APPR.	
TWO PLACE DECIMAL ± .020		Q.A.	
THREE PLACE DECIMAL ± .010		COMMENTS:	
NEXT ASSY	USED ON	FINISH	
APPLICATION		DO NOT SCALE DRAWING	

Dynamic Displays, Inc.		
TITLE:		
24" LANSCAPE WITH STAND		
SIZE	DWG. NO.	REV
C	0014115	01
SCALE: 1:4		SHEET 1 OF 1