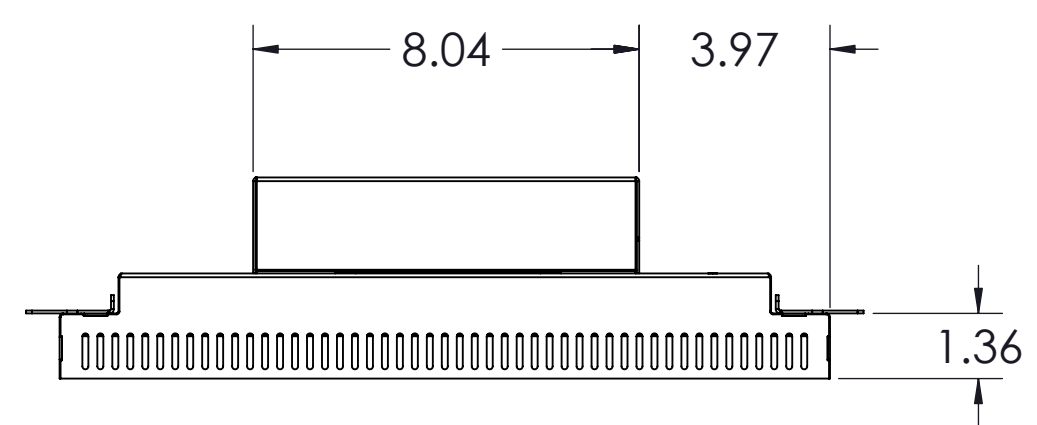
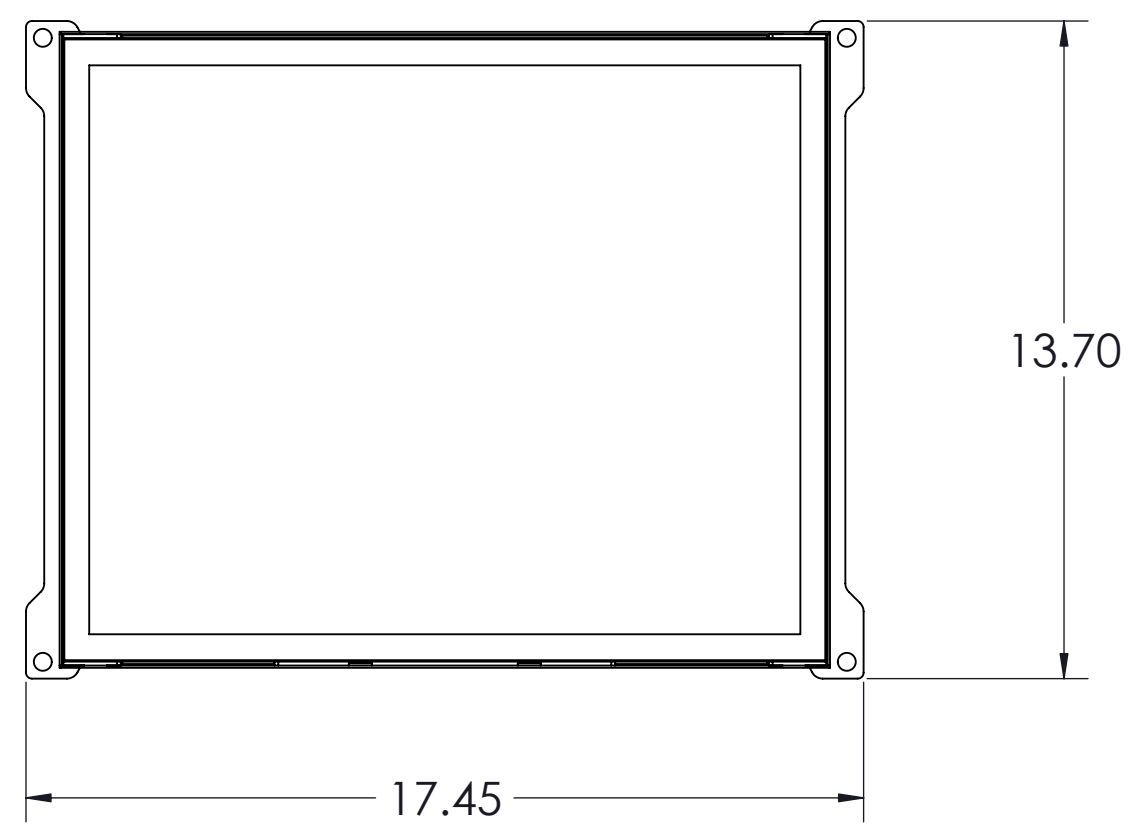


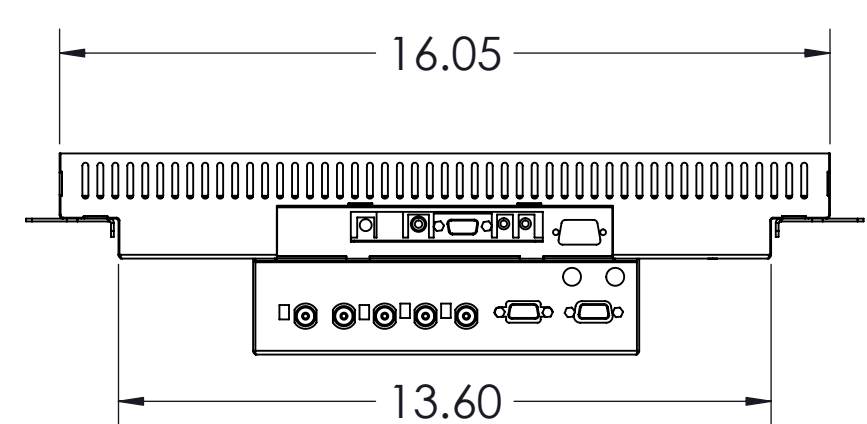
REVISIONS				
ZONE	REV.	DESCRIPTION	DATE	APPROVED
	01	PROTOTYPE RELEASE	5/1/2006	
	02	POWER SUPPLY BRKT REMOVED, VESA MOUNTING ADDED	6/22/2006	
	03	SIGNAL/DAUGHTER BOARD ADDED	6/22/2006	
	04	BNC's & DB's ADDED	6/27/2006	



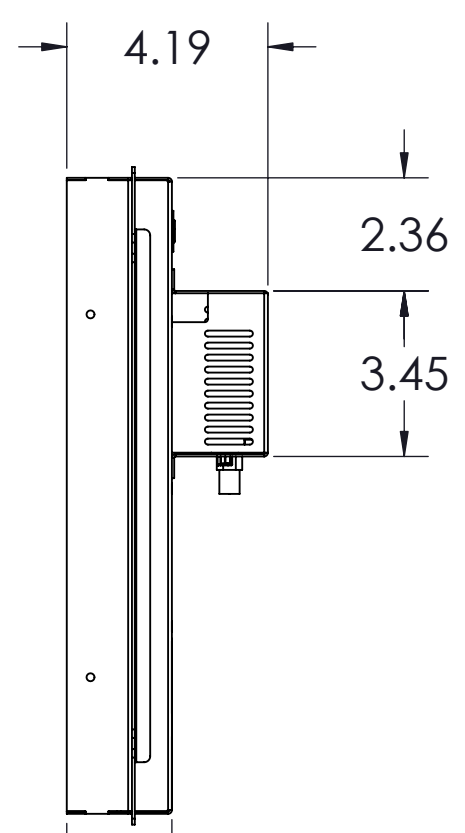
TOP VIEW



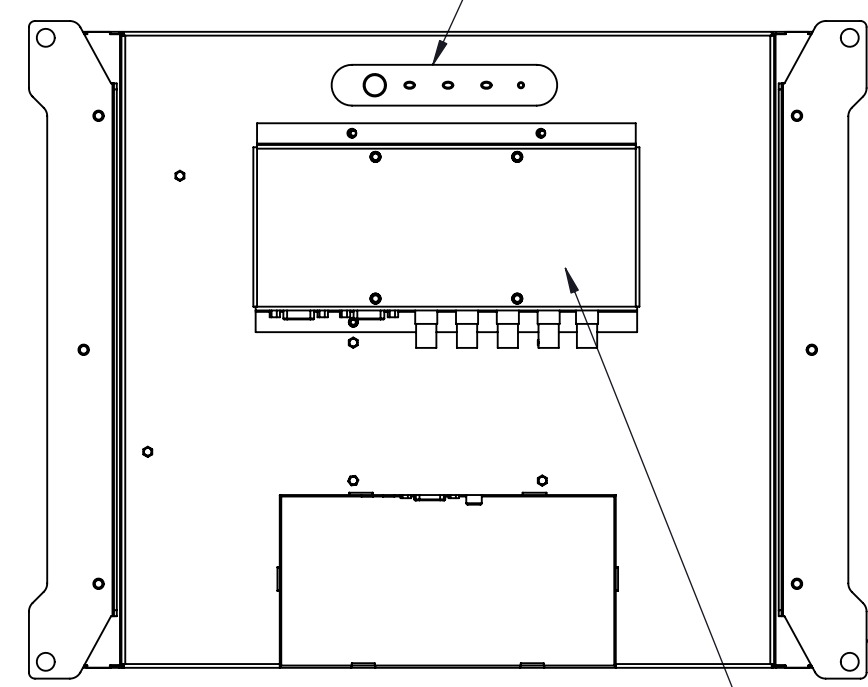
FRONT VIEW



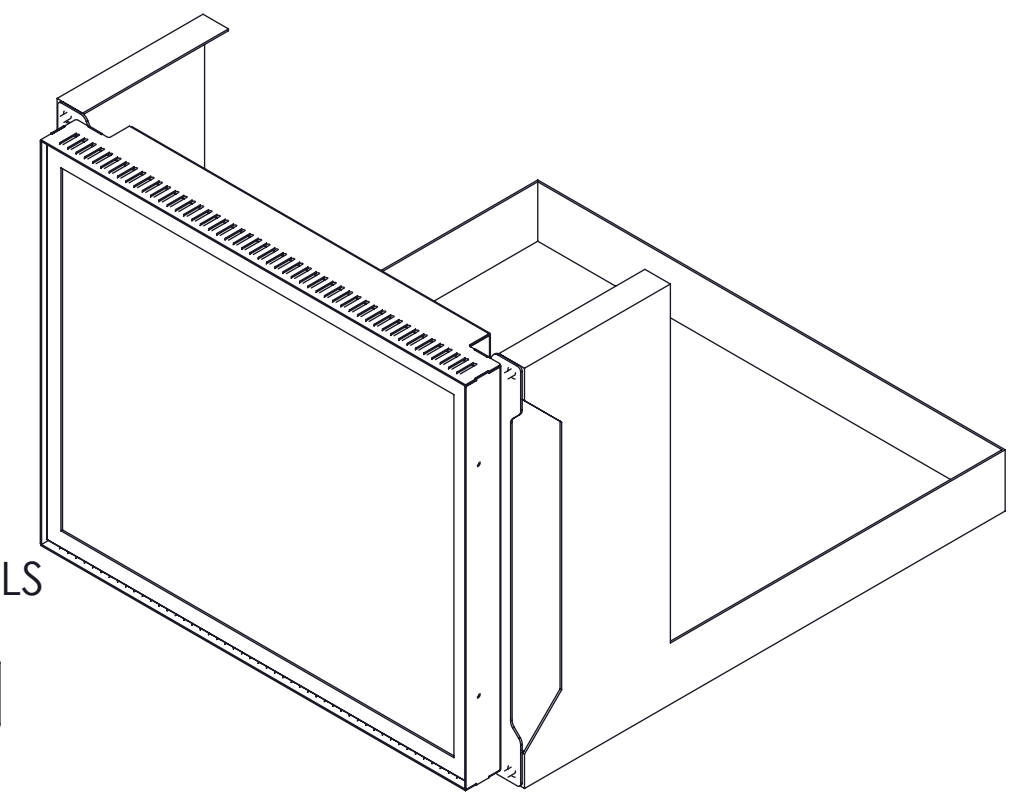
BOTTOM VIEW



SIDE VIEW



REAR VIEW



SHOWN ATTACHED TO EXISTING CHASSIS

REAR CONTROLS

MOUNTING BRKT. (2)

SIGNAL/DAUGHTER BOARD COVER

PROPRIETARY AND CONFIDENTIAL
 THE INFORMATION CONTAINED IN THIS DRAWING IS THE SOLE PROPERTY OF DYNAMIC DISPLAYS, INC. ANY REPRODUCTION IN PART OR AS A WHOLE WITHOUT THE WRITTEN PERMISSION OF DYNAMIC DISPLAYS, INC. IS PROHIBITED.

UNLESS OTHERWISE SPECIFIED:		NAME	DATE
DIMENSIONS ARE IN INCHES		DRAWN	ARJ 5/1/06
TOLERANCES:		CHECKED	
FRACTIONAL ±		ENG APPR.	
ANGULAR: MA CH ± BEND ± .5°		MFG APPR.	
TWO PLACE DECIMAL ± .020		Q.A.	
THREE PLACE DECIMAL ± .010		COMMENTS:	
MATERIAL	CRS		
FINISH	CLEAR ZINC PLATE		
DO NOT SCALE DRAWING			

Dynamic Displays, Inc.		
TITLE:		
20 INCH, RECESSED, OUTLINE DRAWING		
SIZE	DWG. NO.	REV
C	0014103	04
SCALE: 1:4	SHEET 1 OF 1	