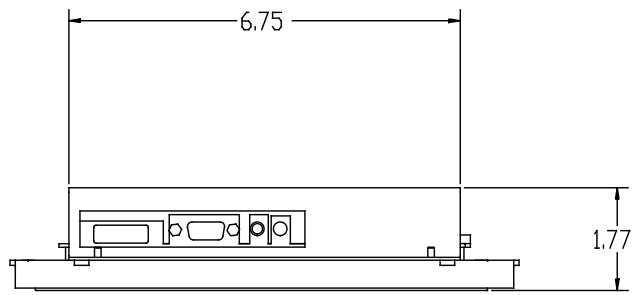
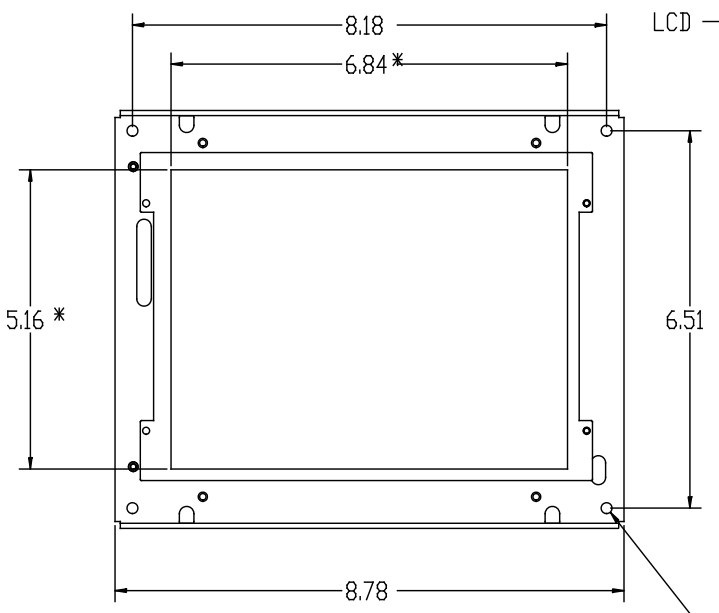


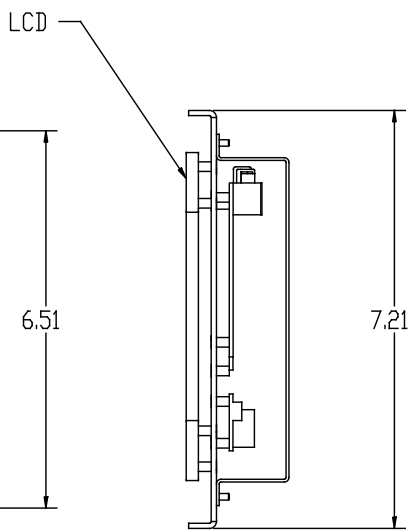
REVISIONS				
ZONE	REV.	DESCRIPTION	DATE	APPROVED
	01	PROTOTYPE RELEASE	12/2/2005	



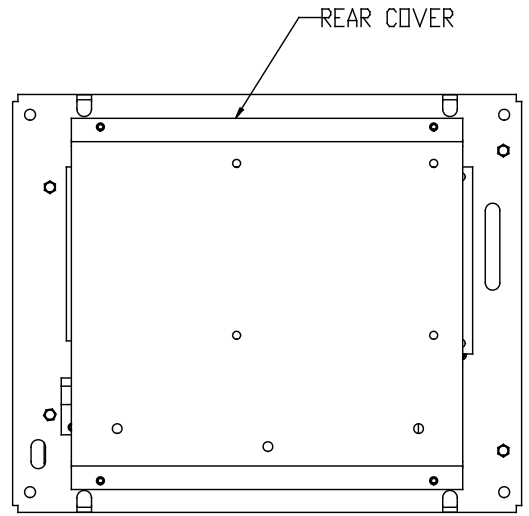
TOP VIEW



FRONT VIEW
(* LCD VIEWING AREA)



SIDE VIEW



REAR VIEW

CLEARANCE HOLES FOR 8-32 SCREWS

PROPRIETARY AND CONFIDENTIAL
THE INFORMATION CONTAINED IN THIS DRAWING IS THE SOLE PROPERTY OF DYNAMIC DISPLAYS, INC. ANY REPRODUCTION IN PART OR AS A WHOLE WITHOUT THE WRITTEN PERMISSION OF DYNAMIC DISPLAYS, INC. IS PROHIBITED.

UNLESS OTHERWISE SPECIFIED:		WAVE	DATE
DIMENSIONS ARE IN INCHES		IRJ	12/2/05
TOLERANCES:		CHECKED	
FRACTIONAL ±	DECIMAL ±	ENG APPR.	
ANGULAR MATCH ±	MIN ±	REV APPR.	
TWO PLACE DECIMAL ±	0.005 ±		
THREE PLACE DECIMAL ±	0.000 ±		
INTERPRET GEOMETRIC TOLERANCING PER:		QA	
MATERIAL:		COMMENTS:	
FINISH:			
APPLICATION:	DO NOT SCALE DRAWING		

Dynamic Displays, Inc.			
TITLE: OUTLINE DWG, OPEN FRAME, 8.4"			
SIZE	DWG. NO.	REV	
C	0014109	01	
SCALE: 1/2"			SHEET 1 OF 1