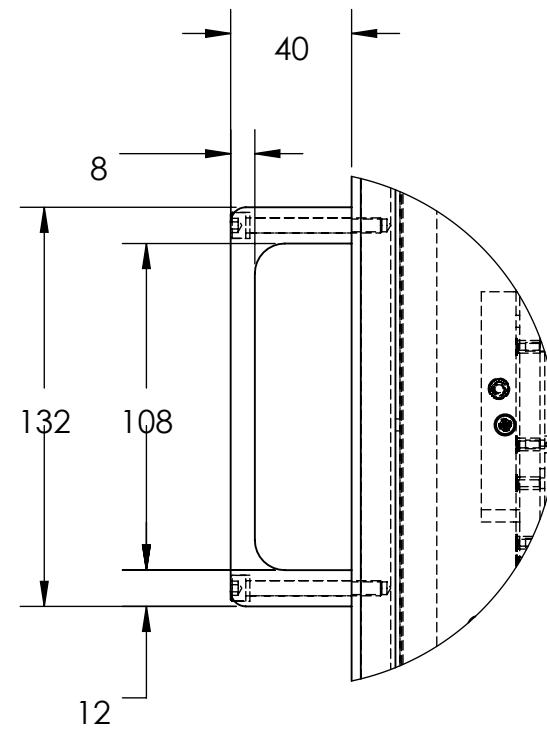
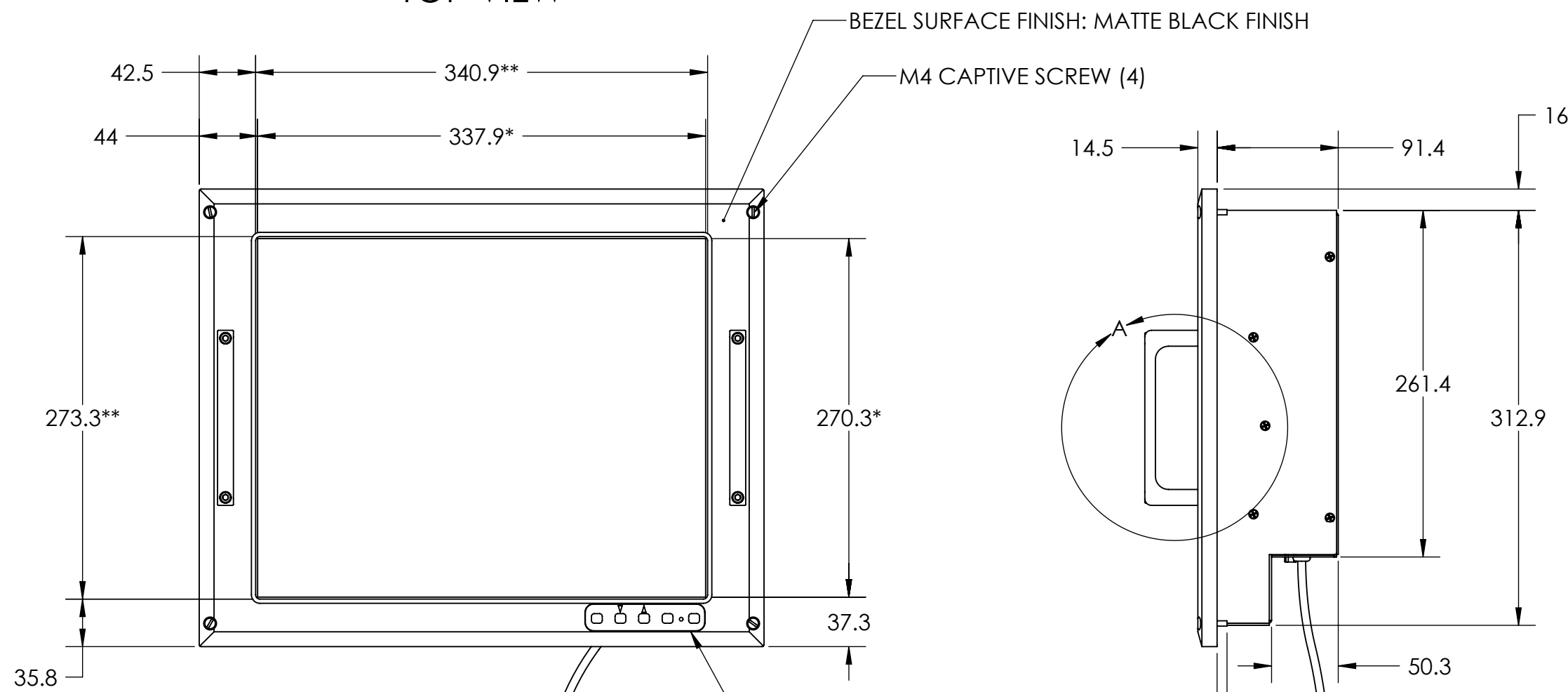
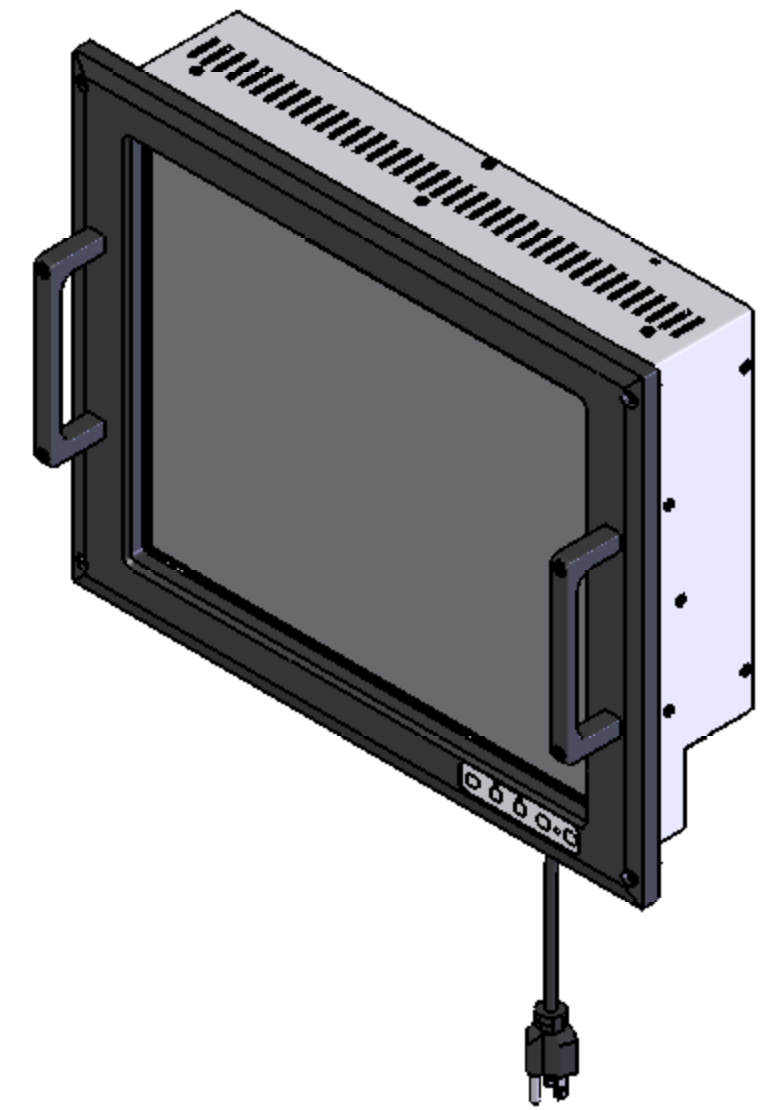


TOP VIEW

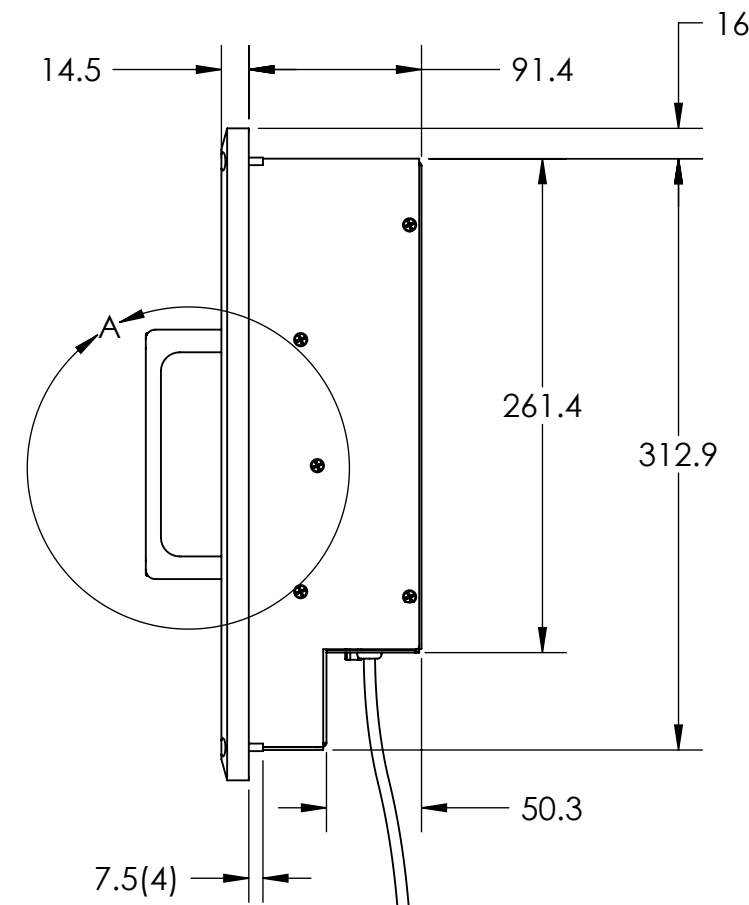


DETAIL A
SCALE 1 : 2.5
HANDLE DETAIL

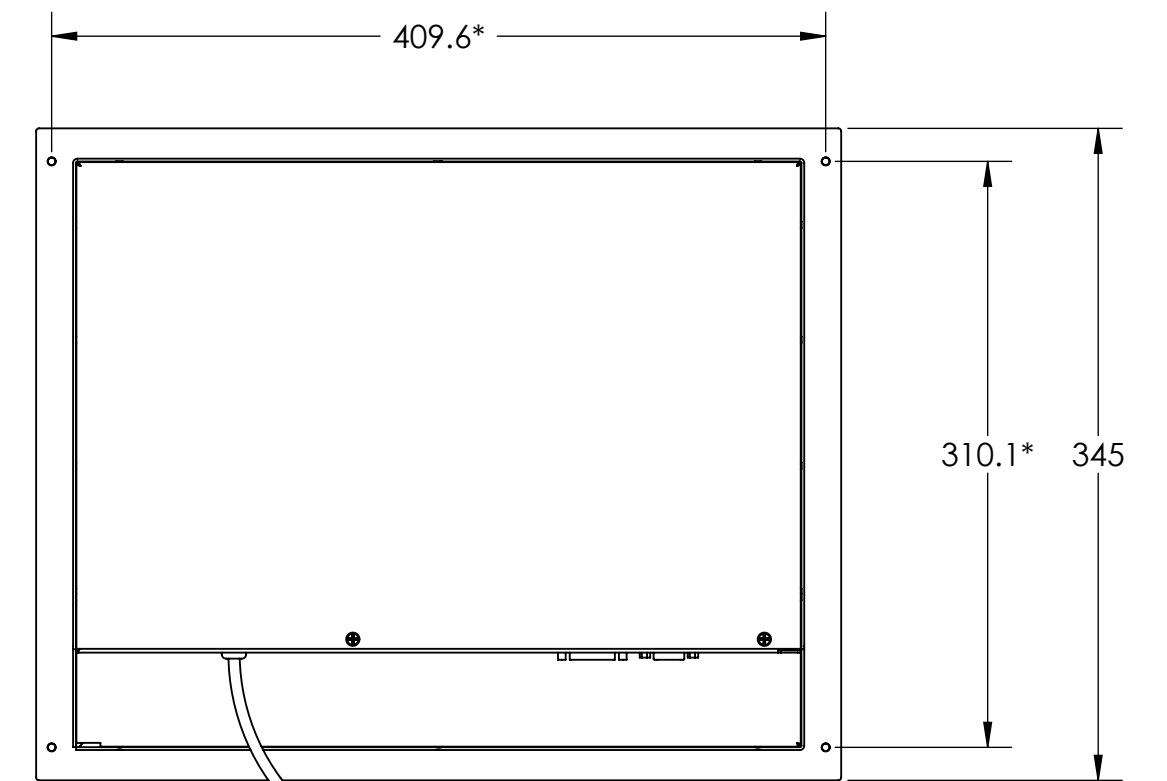


* LCD ACTIVE AREA
** BEZEL OPENING

FRONT VIEW



RIGHT SIDE VIEW

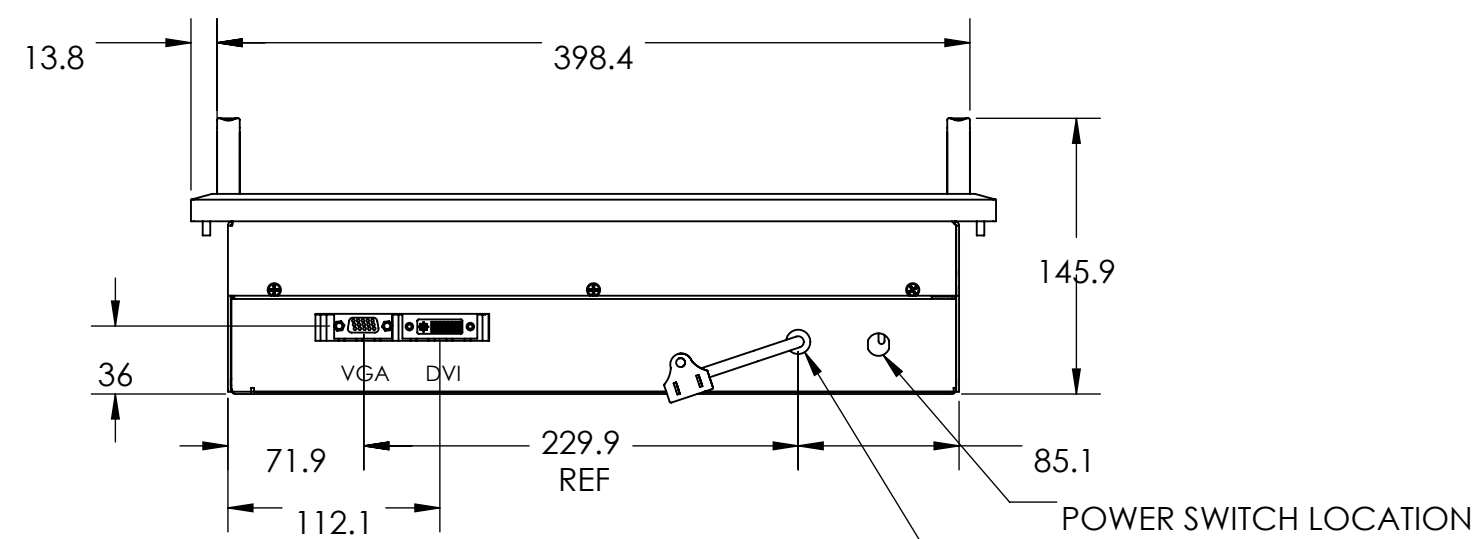


REAR VIEW

*MOUNTING HOLE PATTERN

CAPTIVE AC PWR CORD
(NEMA-5-15P)

(CORD WILL BE 2M LENGTH)
(SHORTENED CORD SHOWN FOR CLARITY)



BOTTOM VIEW

PROPRIETARY AND CONFIDENTIAL
THE INFORMATION CONTAINED IN THIS DRAWING IS THE SOLE PROPERTY OF DYNAMIC DISPLAYS, INC. ANY REPRODUCTION IN PART OR AS A WHOLE WITHOUT THE WRITTEN PERMISSION OF DYNAMIC DISPLAYS, INC. IS PROHIBITED.

UNLESS OTHERWISE SPECIFIED: DIMENSIONS ARE IN INCHES TOLERANCES: FRACTIONAL ANGULAR: MACH ± BEND ± .5° TWO PLACE DECIMAL ± .020 THREE PLACE DECIMAL ± .010		NAME ARJ	DATE 2/19/10
DRAWN	CHECKED	ENG. APPR.	MFG. APPR.
INTERPRET GEOMETRIC TOLERANCING PER: MATERIAL		G.A. COMMENTS:	
NEXT ASSY	USED ON	FINISH	
APPLICATION DO NOT SCALE DRAWING			

Dynamic Displays, Inc.			
TITLE: OUTLINE DWG, 17" FLT/PNL, DISPLAY, RUGGEDIZED			
SIZE	DWG. NO.	REV	
C	0014126	03	
SCALE: 1:4		SHEET 1 OF 1	