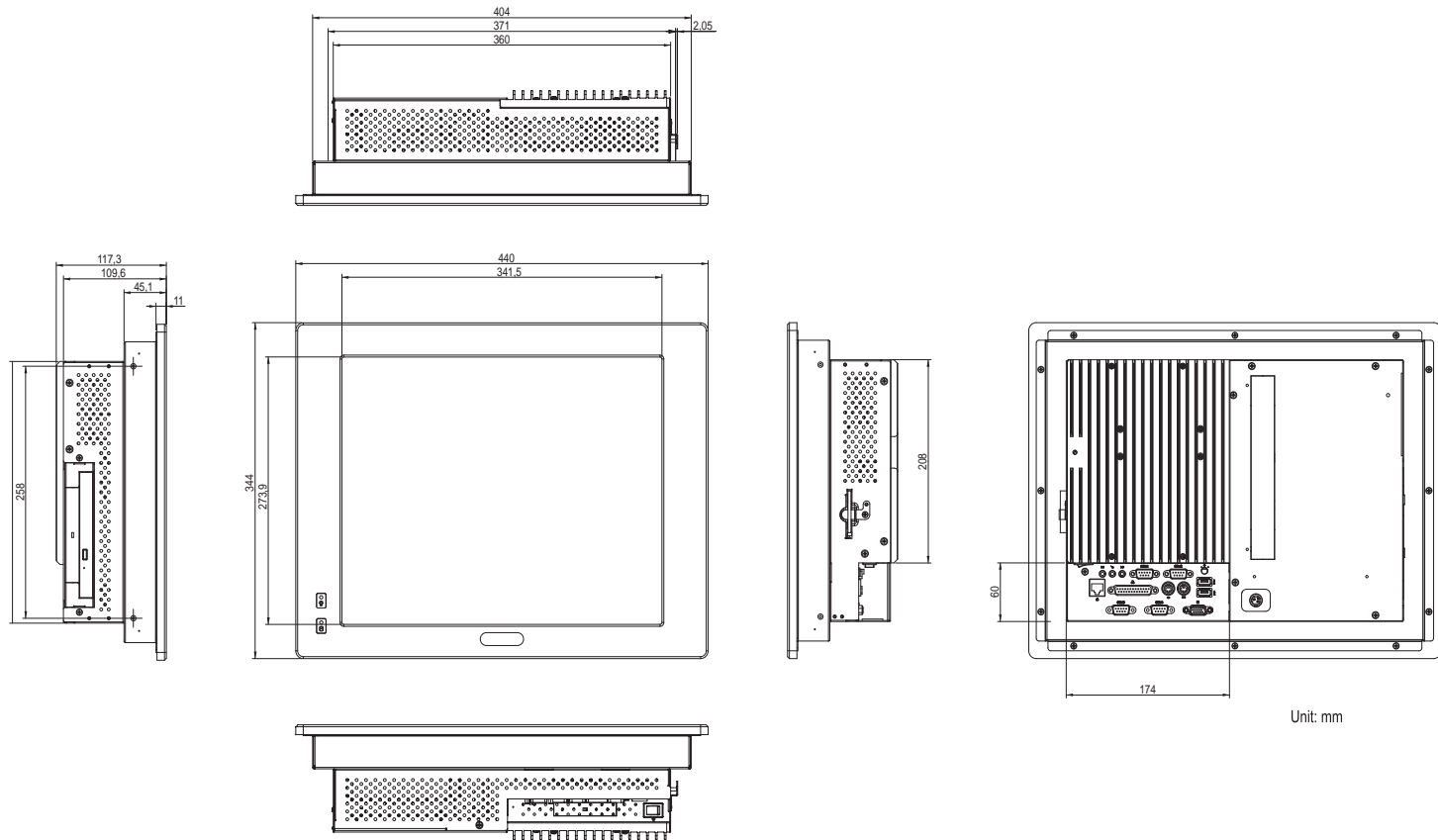


QES1517 F - Series Fanless and Low Power 17" Panel PC Outline Dimensions



Dynamic Displays, Inc.
1625 Westage Road
Eau Claire, WI 54703
Phone: 715-835-9440
Fax: 715-835-2436

Sales Email: sales-ip@dynamicdisplay.com
WEB: dynamicdisplay.com & www.industrial-panels.com